

CURB CONSTRUCTION
 1) WELDED
 2) FINGERLOCK
 -ALL WELDING CONSTRUCTION CERTIFIED TO ANSI/AWS D1.3 STRUCTURAL WELDING CODE-SHEET METAL
 -SELF-DRILLING SCREW SHALL MEET ASTM C1513 SPECIFICATION AND INSTALLED PER AISI-S100
 -NO GAP IS ALLOWED BETWEEN TWO METAL SHEET SURFACES WHERE SHEET METAL SCREW IS CONNECTED

ALL WORK SHALL CONFORM TO THE STANDARD OF 2015 INTERNATIONAL BUILDING CODE & 2016 CALIFORNIA BUILDING CODE.

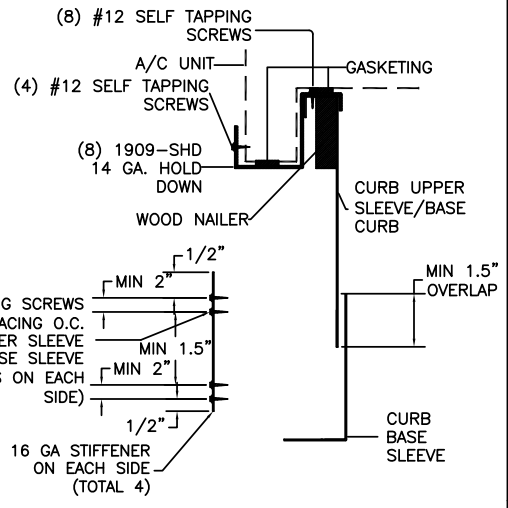
SEISMIC DESIGN CRITERIA
 -SDS = 1.5 ap = 2.5
 -I = 1.5 Rp = 6.0

WIND DESIGN CRITERIA
 -MAX 60 FT TALL BUILDING
 -EXPOSURE C
 -130 MPH, 3 SECOND GUST WIND

NOTE:
 INSTALLER TO VERIFY WITH A LICENSED STRUCTURAL ENGINEER IN THE CORRESPONDING STATE THE ADEQUACY OF THE STRUCTURE FOR LOADS IMPOSED BY THE UNIT AND THE CURB IN ADDITION TO ALL OTHER LOADS.
 -INSTALLER TO VERIFY WITH A LICENSED STRUCTURAL ENGINEER IN THE CORRESPONDING STATE THAT THE SEISMIC AND WIND DESIGN CRITERIA NOTED ON THIS DRAWING ARE ADEQUATE FOR THE SITE SPECIFIC VALUES. OTHERWISE, CONTACT CANNON FABRICATION FOR A SITE SPECIFIC ANALYSIS AND DRAWINGS.

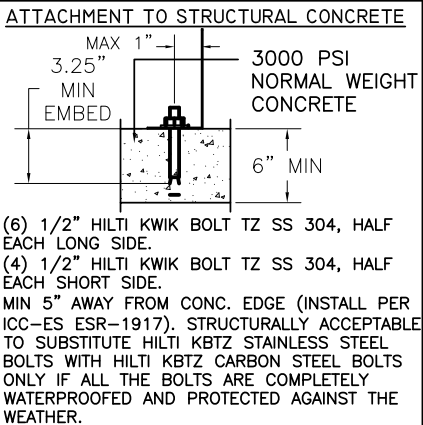
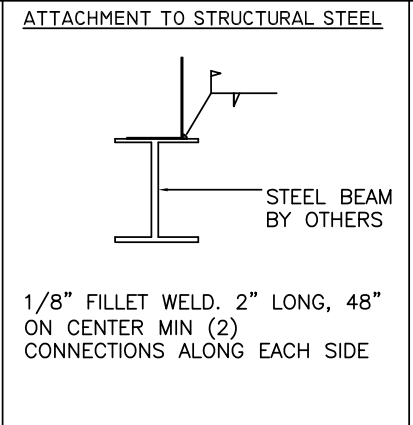
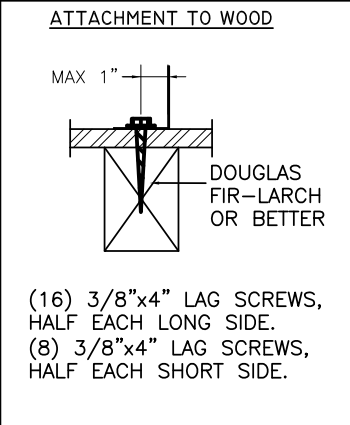
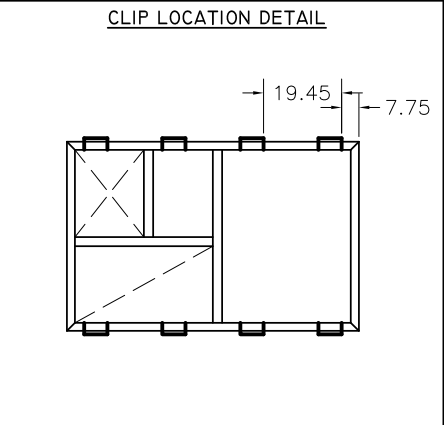
CURB AND UNIT INFORMATION
 16 GAUGE GALVANIZED STEEL CURB
 1005-CB11*-CBCG 11" 173 LBS.
 1005-CB14*-CBCG 14" 206 LBS.

MAX UNIT OPERATING WEIGHT 900 LBS
 CGX FROM CORNER = 34.13" PARALLEL TO LENGTH
 CGY FROM CORNER = 21.63" PARALLEL TO WIDTH
 CGH FROM BOTTOM OF UNIT = 20.25"



PROVIDE FIRST SPLICE CONNECTION AT MAX 6" FROM EDGE OF THE CURB
 PROVIDE FIRST CONNECTION TO STRUCTURE AT MAX 6" FROM EDGE OF THE CURB. SEE DETAILS BELOW

ANCHORAGE DETAILS TO ROOF:



STRUCTURAL REVIEW BY:

MARTIN & associates

JOHN A. MARTIN AND ASSOCIATES
 Structural Engineers
 950 South Grand Ave., 4th Floor
 Los Angeles, California 90015
 Phone (213) 483 6490
 Fax (213) 483 3084
 Job No.: 13001

CanFab
 CANNON FABRICATION INC

182 GRANITE STREET, SUITE 101, CORONA, CA 92879
 PHONE: (951)278-1830 FAX: (951)278-8444 www.canfab.com canfab@canfab.com

FOR: CARRIER	
PART NO: 1005-CB***-CBCG	PROJECT:
ENGINEER: LD	DISTRIBUTOR:
DRAWING NO: 1005CA.DWG	DATE: 7.30.18
APPROVED BY:	DATE: / /

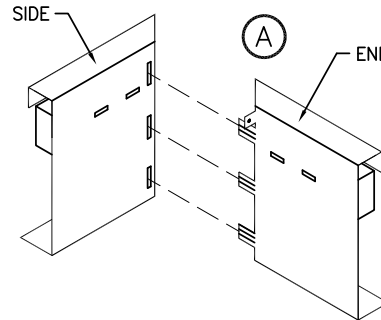
FINGER LOCK ROOF CURB ASSEMBLY

REMOVE CONTENTS (2-SIDES, 2-ENDS, 2-LONG LAYOVER FLANGES, 2-SHORT LAY-OVER FLANGES, 2-STIFFENERS, 5-BRACES, 2-DECK PANS, SCREW PACKAGE & GASKETING) FROM SHIPPING PACKAGE. BRING TOGETHER ONE CURB END & ONE CURB SIDE BY SLIDING THE TABS ON THE CURB END INTO THE SLOTS ON THE CURB SIDE. BEND THE TABS 90° IN OPPOSITE DIRECTIONS. REPEAT THIS STEP FOR ALL FOUR CORNERS.

USING THE SCREWS AND PRE-PUNCHED HOLES PROVIDED. INSTALL THE CROSS BRACES ACCORDING TO THE DIMENSIONS ON THE SUBMITTAL.

INSTALL GASKET AROUND THE TOP FLANGE OF THE ROOF CURB. YOU WILL NEED TO DOUBLE UP THE GASKET AROUND THE SUPPLY AND RETURN OPENINGS.

USING THE SCREWS AND PRE-PUNCHED HOLES PROVIDED. INSTALL THE STIFFERNS ACCORDING TO THE DIMENSIONS ON THE SUBMITTAL. BE SURE TO POSITION STIFFENER TO ALLOW A MINIMUM OVERLAP OF 1.5" BETWEEN UPPER AND LOWER CURB SLEEVES.



1005-CB11F/14F-CBCG	
PART NUMBER	QTY
1005-CB**F-CBCG-01A	2
1005-CB**F-CBCG-01B	2
1005-CB**F-CBCG-02A	2
1005-CB**F-CBCG-02B	2
1005-CB**F-CBCG-03A	1
1005-CB**F-CBCG-03B	1
1005-CB**F-CBCG-03C	1
1005-CB**F-CBCG-04	4
1005-CB**F-CBCG-05A	2
1005-CB**F-CBCG-05B	2
1312-WOOD	67.375" (SIDE)
1312-WOOD	37.1875" (END)
ASN10018GS	4
14135GASKET	1 ROLL
1034TEK	85



182 GRANITE STREET, SUITE 101, CORONA, CA 92879

PHONE:(951)278-1830 FAX:(951)278-8444 www.canfab.com canfab@canfab.com

FOR: CARRIER ADJUSTABLE PITCH CURB
FIELD INSTALLATION INSTRUCTIONS

PART NO: 1005-CB**F-CBCG

PROJECT:

ENGINEER: LD

DISTRIBUTOR:

DRAWING NO: 1005CA.DWG

DATE: 8.20.18

APPROVED BY:

DATE: / /



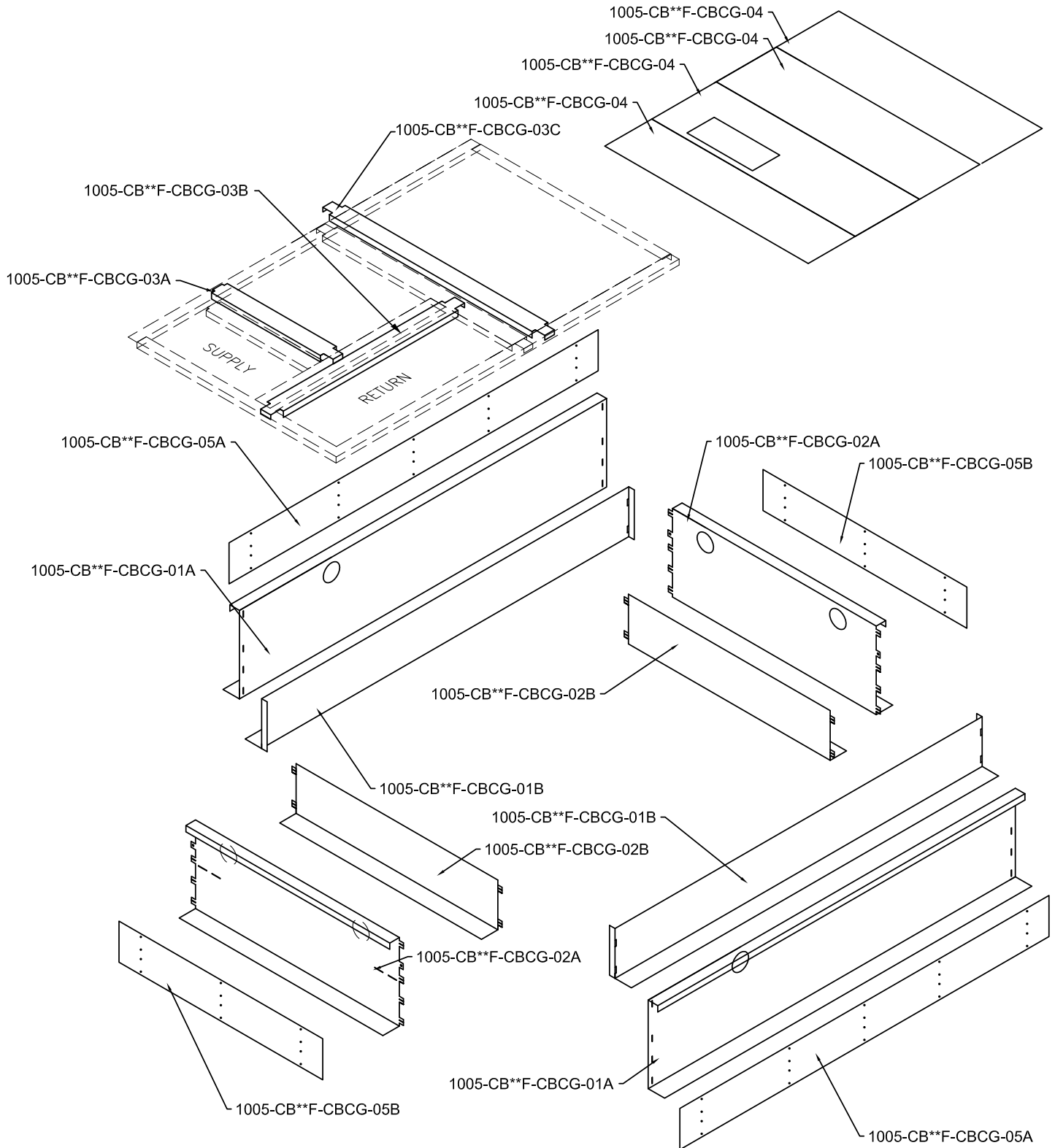
CANNON FABRICATION INC

182 GRANITE STREET, SUITE 101, CORONA, CA 92879

PHONE: (951)278-1830 FAX: (951)278-8444 www.canfab.com canfab@canfab.com

FOR: 1005-CB**F-CBCG
EXPLODED VIEW

PART NO: 1005-CB**F-CBCG



PROJECT:

DATE: 8.20.18

ENGINEER: LD

DISTRIBUTOR:

DRAWING NUMBER: 1005CA.DWG



CANNON FABRICATION INC

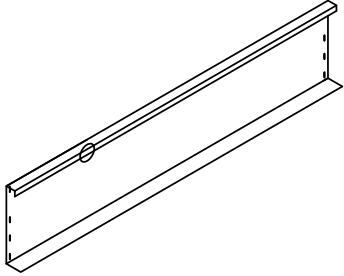
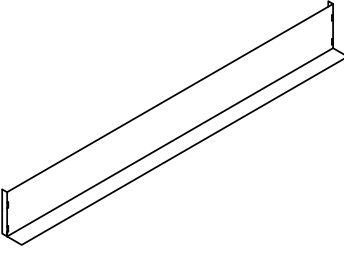
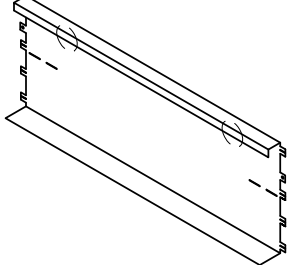
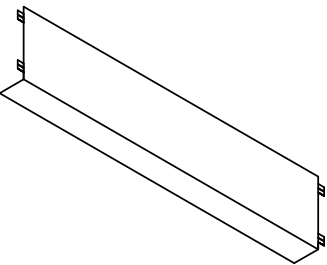
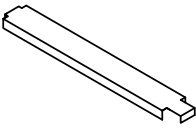
182 GRANITE STREET, SUITE 101, CORONA, CA 92879

PHONE: (951)278-1830 FAX: (951)278-8444 www.canfab.com canfab@canfab.com

FOR: 1005-CB**F-CBCG
PARTS LIST

PART NO: 1005-CB**F-CBCG

1005-CB**F-CBCG-PARTS LIST

PART #	QTY	
1005-CB**F-CBCG-01A	2	
1005-CB**F-CBCG-01B	2	
1005-CB**F-CBCG-02A	2	
1005-CB**F-CBCG-02B	2	
1005-CB**F-CBCG-03A	1	

PROJECT:

DATE: 8.20.18

ENGINEER: LD

DISTRIBUTOR:

DRAWING NUMBER: 1005CA.DWG



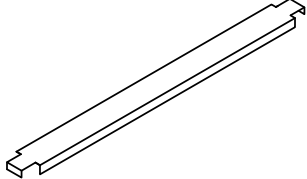
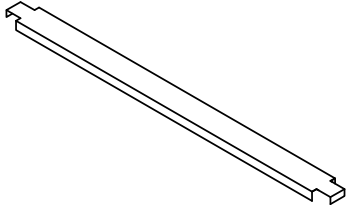
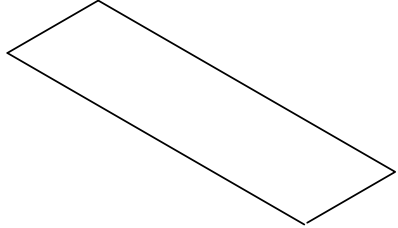
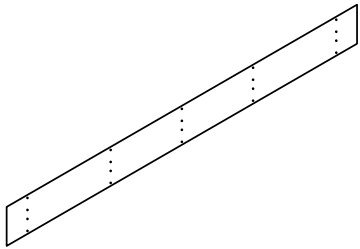
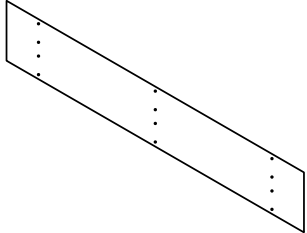
182 GRANITE STREET, SUITE 101, CORONA, CA 92879

PHONE: (951)278-1830 FAX: (951)278-8444 www.canfab.com canfab@canfab.com

FOR: 1005-CB**F-CBCG
PARTS LIST

PART NO: 1005-CB**F-CBCG

1005-CB**F-CBCG-PARTS LIST

PART #	QTY	
1005-CB**F-CBCG-03B	1	
1005-CB**F-CBCG-03C	1	
1005-CB**F-CBCG-04	4	
1005-CB**F-CBCG-05A	2	
1005-CB**F-CBCG-05B	2	

PROJECT:

DATE: 8.20.18

ENGINEER: LD

DISTRIBUTOR:

DRAWING NUMBER: 1005CA.DWG